

# Smart Dupline® DALI Master Type SB2DALI230

CARLO GAVAZZI



- DALI Master for Smart Dupline®
- Integrated DALI power supply
- Allows control of DALI lighting actuators via Smart Dupline®
- Lighting control functions are performed by SBWEB/SHWEB
- BACnet/IP link via SBWEB
- Can be installed at any point of the Dupline® network
- Up to 7 DALI masters on one Dupline® network
- Up to 64 lighting actuators on one DALI bus
- Up to 16 groups on one DALI bus
- IEC 60929 compliant
- 2-DIN housing
- 230 VAC power supply

## Product Description

The SB2DALI230 is a DALI Master for Smart Dupline®. The unit can be connected to the Smart Dupline® bus at any point, and up to 64 lighting actuators can be connected to the DALI bus output. Up to 7 SB2DALI230 units can be connected to one Smart Dupline® bus. The SB2DALI230 is powered by 230 VAC and it has a built-in DALI power supply. The lighting control functions (such as the

constant light zone control and the corridor lighting) are performed by the SBWEB controller. The SBWEB controller connects via Smart Dupline® to presence detectors, lux sensors and light switches. All the physical I/O points as well as the function parameters and control flags are made available as BACnet objects on BACnet/IP, hence allowing easy integration to any BMS system.

## Ordering Key

**SB 2 DALI 230**

Smart Building \_\_\_\_\_  
 2-DIN housing \_\_\_\_\_  
 DALI \_\_\_\_\_  
 Power supply \_\_\_\_\_

## Type Selection

Housing	Mounting	230 VAC
2 DIN	DIN-rail	SB2DALI230

## Supply Specifications

<b>Power supply</b>	Overvoltage cat. III (IEC 60664-1, par. 4.3.3.2)
Rated operational voltage	115-240 VAC
<b>Operational voltage range</b>	115-240 VAC +/-10%
<b>Rated operational power</b>	9 VA
<b>Connection</b>	2xL and 2xN (2 pairs of terminals internally connected)
<b>Power on delay</b>	typ. 5s
<b>Power off delay</b>	typ. less than 1s

## Dupline® Specifications

<b>Voltage</b>	8.2 V
<b>Maximum Dupline® voltage</b>	10 V
<b>Minimum Dupline® voltage</b>	5.5 V
<b>Maximum Dupline® current</b>	1.1 mA

## DALI Specifications

<b>DALI compliance</b>	This control device is designed for use with products compliant to the following standards: IEC 62386-101, 102, 201
<b>DALI voltage</b>	14 V
<b>Max load</b>	130 mA
<b>Number of DALI devices</b>	64
<b>Number of groups</b>	16

## General Specifications

<b>Installation category</b>	Cat. II	<b>Weight</b>	150 g
<b>Dielectric strength</b> Power supply to Dupline® Dupline® to output	4 kV AC for 1 minute 6 kV impulse 1.2/50 µs (IEC60664-1, TAB. A.1)	<b>Approvals</b>	cULus according to UL60950
<b>Environment</b> Degree of protection Front Screw terminal Pollution degree Operating temperature Storage temperature Humidity (non-condensing)	IP 50 IP 20 2 (IEC 60664-1, par. 4.6.2) -20° to +50°C (-4° to 122°F) -50° to +85°C (-58° to 185°F) 20 to 80% RH	<b>CE Marking</b>	Yes
<b>LED indication</b> Supply ON Dupline® status DALI status	1 green 1 yellow 1 yellow	<b>EMC</b> Immunity - Electrostatic discharge - Radiated radiofrequency - Burst immunity - Surge - Conducted radio frequency - Power frequency magnetic fields - Voltage dips, variations, interruptions Emission - Conducted and radiated emissions - Conducted emissions - Radiated emissions	EN 61000-6-2 EN 61000-4-2 EN 61000-4-3 EN 61000-4-4 EN 61000-4-5 EN 61000-4-6 EN 61000-4-8 EN 61000-4-11 EN 61000-6-3 CISPR 22 (EN55022), cl. B CISPR 16-2-1 (EN55016-2-1) CISPR 16-2-3 (EN55016-2-3)
<b>Connection</b> Terminal Cable cross-section area  Tightening torque	6 Screw-type max. 1.5 mm <sup>2</sup> , min. 0,25 mm <sup>2</sup> 0.8 Nm		
<b>Housing</b> Dimensions Material	2 DIN module Noryl		

## Mode of Operation

The SB2DALI230 DALI Master is part of the SBWEB/Smart Dupline® platform for building automation. The purpose of the unit is to provide the interface to the lighting actuators like e.g. ballasts and LED drivers in lighting control systems. The lighting control functions like e.g. constant light zone control and corridor lighting are performed by the SBWEB Controller, which is linked to the DALI Master via Smart Dupline®. The presence detectors, lux sensors and light switches needed for lighting control are connected directly to the Smart Dupline® 2-wire bus, which provides both power and communication for the connected devices.

The SB2DALI230 is powered from 230 VAC and features a built-in DALI power supply.

### Network topology

Each DALI Master can have up to 64 DALI actuators connected to the DALI output, and up to 7 DALI Masters can be connected to one Dupline® bus. Since one SBWEB Controller can manage up to 7 Dupline® networks, the total amount of DALI actuators that one SBWEB can manage is:  $64 \times 7 \times 7 = 3136$ . However, in many cases it may be preferable to have one SBWEB Controller per floor and then link them together via BACnet/IP. In this way the system is completely scaleable and can manage any amount of light fittings.

### Addressing and programming

The addressing and grouping of the DALI actuators are performed via the PC-based SBWEB programming tool,

thereby allowing the entire system to be programmed and commissioned from a single user interface. Up to 16 lighting groups can be created for each DALI Master.

When scanning the Dupline® network(s) via the SBWEB programming tool, the DALI Masters are automatically detected and can be uniquely identified via the SIN addresses. During the setup of the DALI Master, it is possible to scan the DALI network and automatically assign addresses to the DALI devices. In the setup menu, the lights can be individually switched ON/OFF. In this way, the DALI addresses that have been allocated to the actuator can easily be identified. If desired, it is subsequently possible to swap addresses between the DALI devices.

### Functions

The lighting control functions are performed by the SBWEB Controller. There are a number of predefined functions available, such as constant light zone control, corridor lighting, presence and lux based control, scheduling, sequences, dimming, scenario control, timers etc. The SBWEB provides a BACnet/IP link which allows control of the lighting functions and parameter changes via BACnet objects. This considerably simplifies the BMS integration. For example each constant light function has a BACnet object which allows the lux set-point to be read and changed.

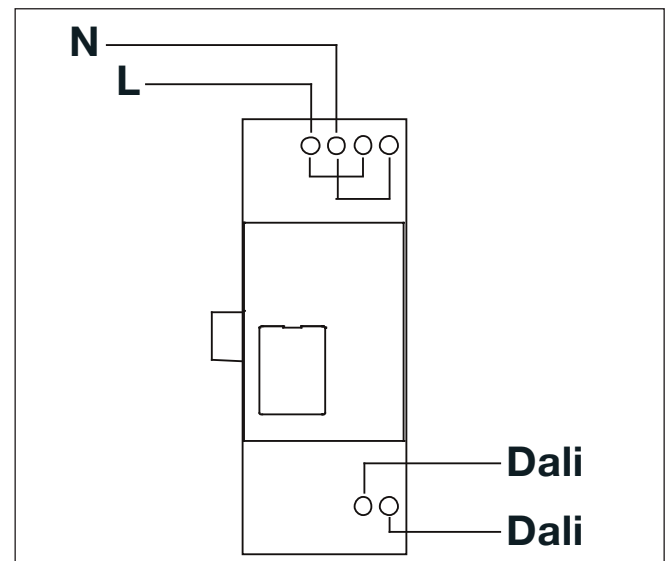
## LED Indication

**Green LED:**  
 ON: Supply ON  
 OFF: Supply OFF

**Yellow LEDs**  
 ON: the Dupline® bus is working properly.  
 Flashing: there is a fault on the Dupline® bus.  
 OFF: The Dupline® bus is OFF or not connected.

**DALI:**  
 OFF:  
 ON:  
 Flashing: DALI communication running

## Wiring Diagrams



## Dimensions

